

QUESTIONS OR CONCERNS, CONTACT CANARM AT:

1-800-265-1833 (English) 1-800-567-2513 (French) Monday through Friday 8:00 AM to 5:00 PM E.S.T.



INSTRUCTIONS PERTAINING TO RISK OF FIRE OR INJURY TO PERSONS
READ ALL INSTRUCTIONS

IMPORTANT SAFETY INSTRUCTIONS

SAVE THESE INSTRUCTIONS

TOOLS AND MATERIALS REQUIRED:



Star-headed
Screwdriver



Pliers



Hammer

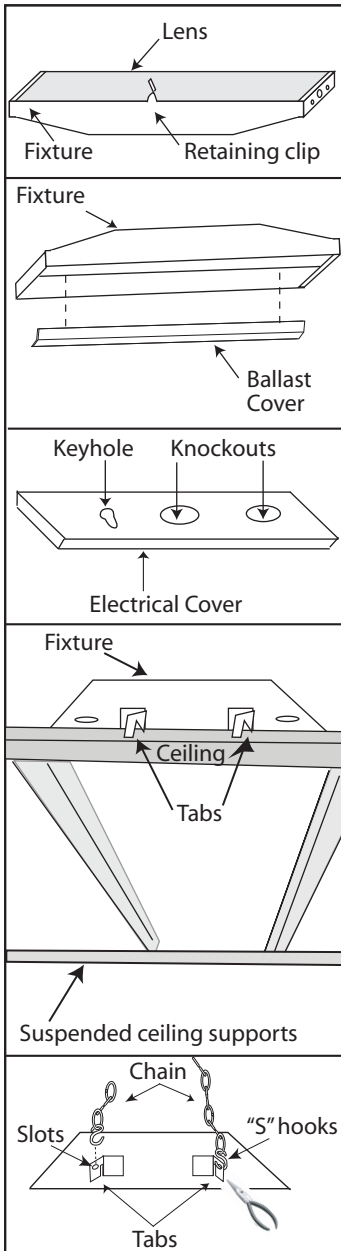


Wiring supplies
as required by
electrical code

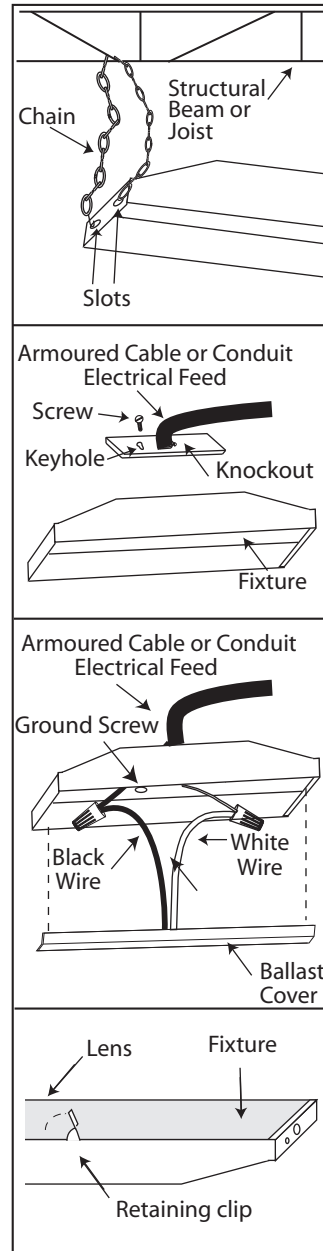
SAFETY PRECAUTIONS:

1. TURN OFF ELECTRICAL POWER BEFORE STARTING INSTALLATION OF LIGHT FIXTURE.
2. THIS PRODUCT MUST BE INSTALLED IN ACCORDANCE WITH THE APPLICABLE INSTALLATION CODE BY A PERSON FAMILIAR WITH THE CONSTRUCTION AND OPERATION OF THE PRODUCT AND THE HAZARDS INVOLVED.
3. THIS FIXTURE IS DESIGNED FOR 120 VOLT CIRCUIT. IF UNSURE ABOUT WIRING, CONSULT AN ELECTRICIAN. **WARNING: DO NOT CONNECT FIXTURE TO DIMMER CIRCUIT.**
4. THIS FIXTURE MUST BE GROUNDED PROPERLY. CONNECT THE GROUND WIRE (BARE COPPER OR GREEN) TO THE AC SUPPLY GROUND WIRE (BARE COPPER OR GREEN) OR GROUND SCREW IN THE ELECTRICAL OUTLET BOX. IF GROUND WIRE IS NOT AVAILABLE IN YOUR AC SUPPLY WIRE SYSTEM, PLEASE CONSULT A QUALIFIED ELECTRICIAN BEFORE PROCEEDING THE ELECTRICAL CONNECTION.
5. USE ONLY ENERGY STAR APPROVED BALLAST (WITH LAMP SOCKETS) MANUFACTURED BY CSA FILE NUMBER 226237 AND MARKETED BY CANARM LIMITED. THIS BALLAST IS REPLACEABLE BY A QUALIFIED ELECTRICIAN WITHOUT CUTTING OF THE WIRES.

INSTALLATION: NOTE: Product May Not Look Exactly As Shown In Figures.



1. Remove the acrylic lens and place aside to avoid possible damage by gently pulling upwards on the retaining clips on the side of the fixture. Slide the lens away from the fixture. (Be careful not to crack the lens.)
2. Remove the ballast cover. Using both hands, squeeze the cover at both ends to release from the housing and gently pull it away.
3. Turn the fixture over and locate the appropriate knockout. Make sure the fixture is supported on the underside and break part of the knockout away using a hammer and screw driver. Twist out the knockout using pliers. Remove the electrical cover from the fixture by removing the screw from the keyhole.
4. If mounting to a suspended ceiling, position the fixture in the ceiling and bend the tabs on the troffer to hook onto the suspended ceiling supports.
5. Attach the mounting chains into the dual slots that are located on the fixture tabs. Close "s" hook tight with pliers.



6. Secure fixture to ceiling by attaching chain to a structural beam or joist in ceiling and hooking into slots in fixture.
7. Feed conduit or armoured cable through knockout in electrical cover. Attach the electrical cover using the screw removed in step #3.
8. Connect the ground wire to the ground screw located near the center knockout. Connect the black wire from the fixture to the black wire from the electrical source. Connect the white wire from the fixture to the white wire. Once wires are connected, replace the ballast cover removed in step #2.
9. Install proper bulb type and wattage (not included). Insert the pins on both ends of the fluorescent tube into the lamp holders on both ends. Rotate the tube until a slight "click" is felt. Repeat for additional bulbs.
10. Replace the lens and lock in place with retaining clips on the side of the fixture.
11. When the ballast is replaced, reverse the process from step 10 to 8. Loosen the screw and nut to remove the ballast and sockets from fixture. After that repeat the normal process from step 8 to 10.